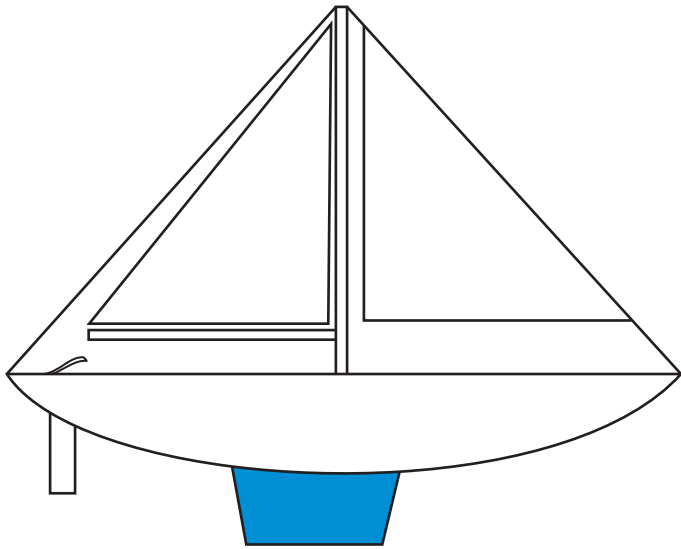


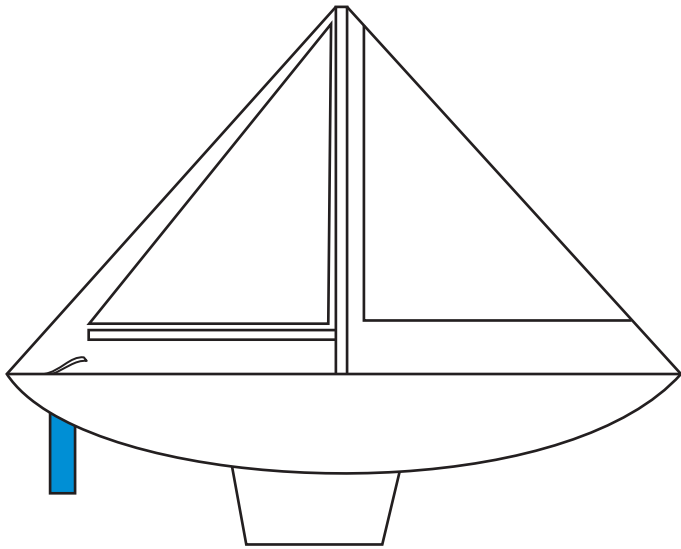
Hull

The main body of a sailboat excluding the rigging and the sails.



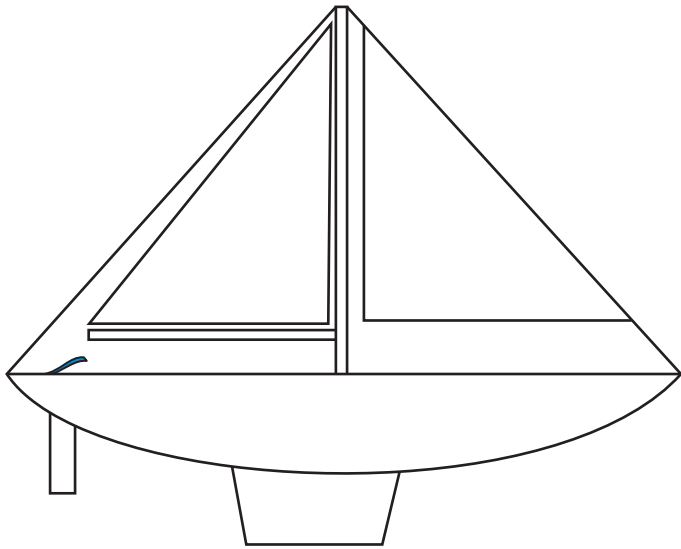
# Keel

The fixed underwater fin on the hull which provides lateral stability and prevents the boat from slipping sideways. It is the lowest part of a sailboat in the water.



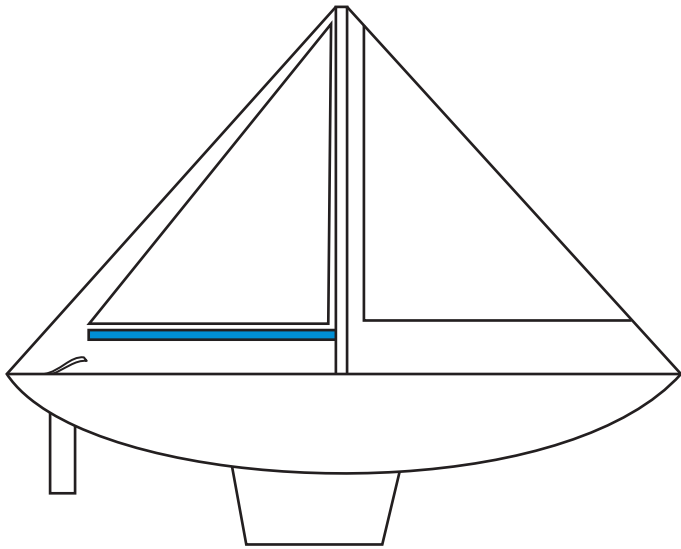
# Rudder

A movable fin at the stern or backend of the boat which is placed into the water and is used to control the direction of travel



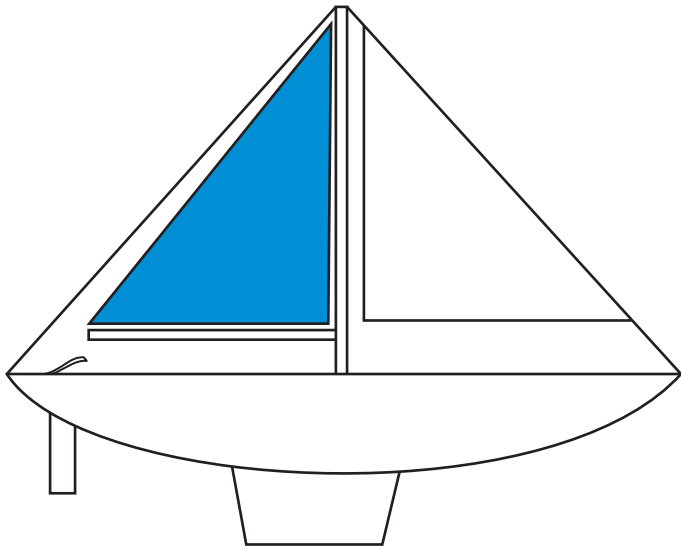
## Tiller

A wooden arm attached to the rudder which is used to change and hold the rudder's position. If the tiller is pushed to port the boat will turn to starboard.



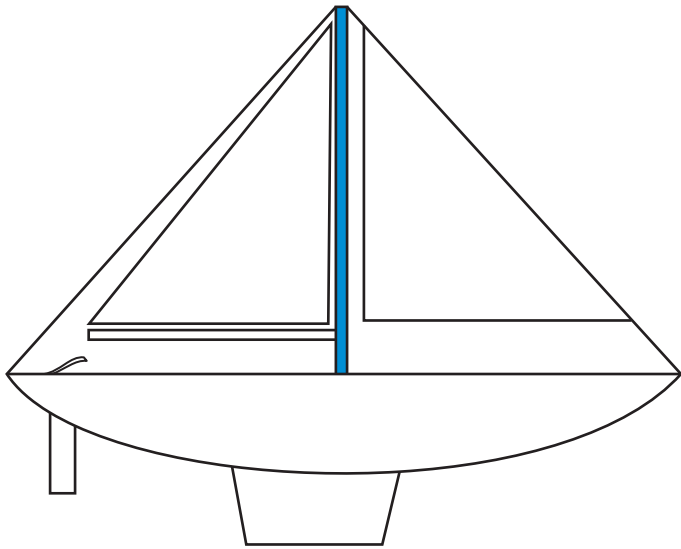
# Boom

A metal or wooden spar or beam which controls the bottom of the mainsail.



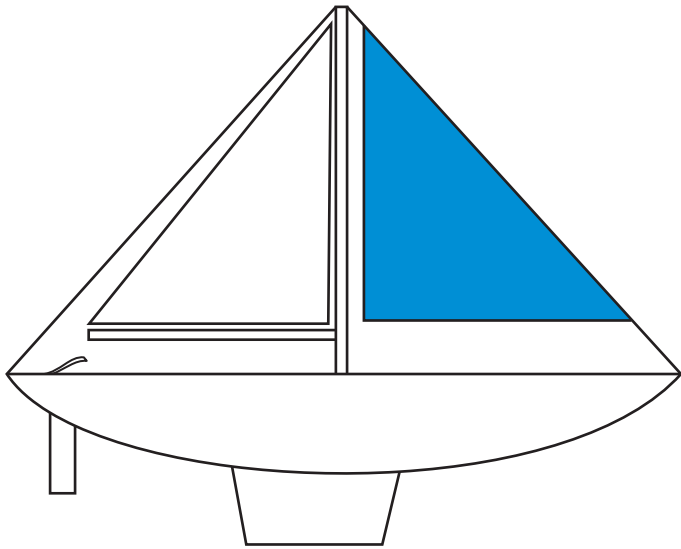
# Mainsail

The large sail which is behind or aft the mast.



Mast

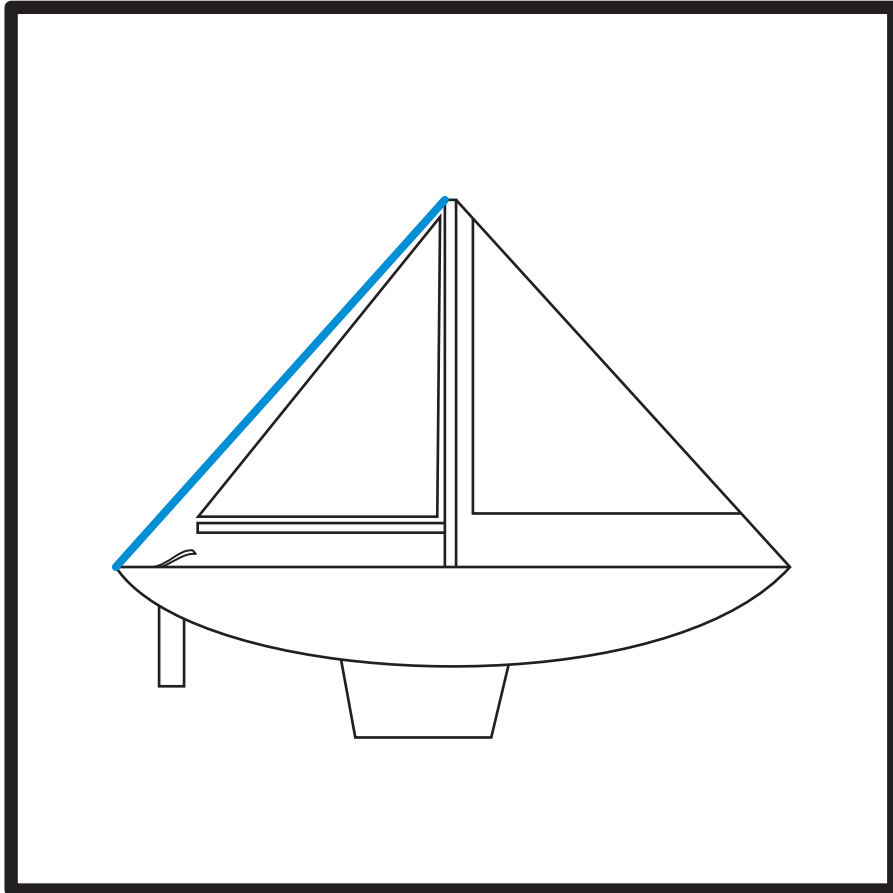
A large verticle spar which supports the sails.



Foresail

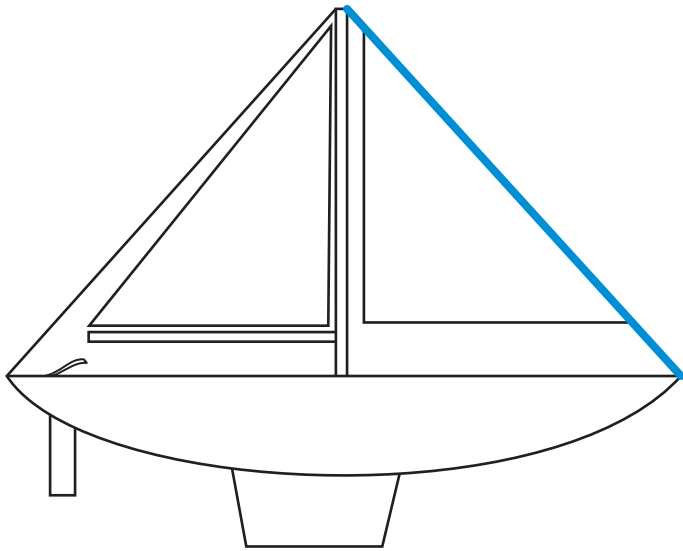
The sail which is forward of the mast.





## Backstay

A line running from the top of the mast to the stern of the boat. It supports the mast.



# Forestay

A line running from the top of the mast to the front, or bow, of the boat.  
It supports the mast.